

Datasheet



Grit Classifier

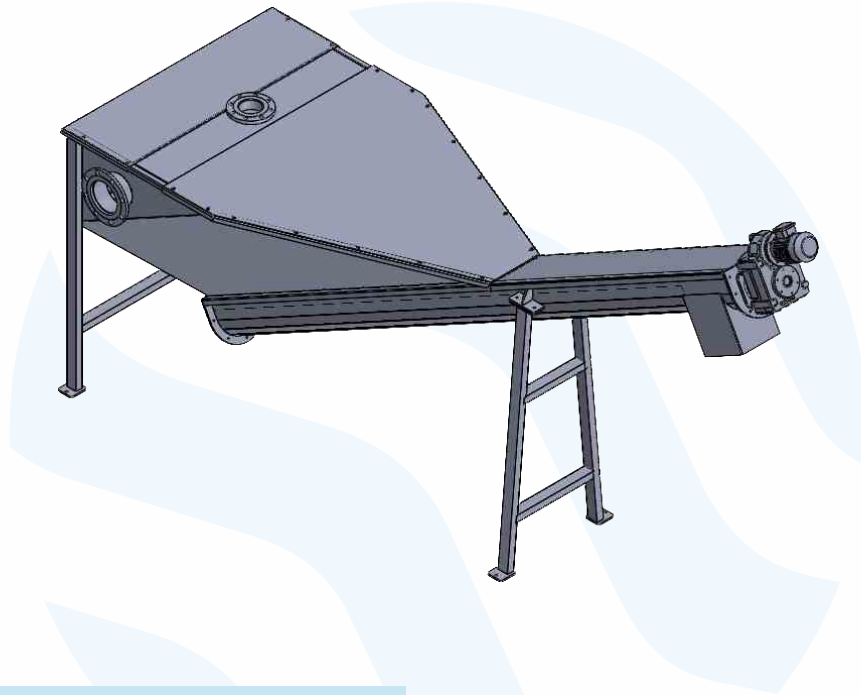
+49 163 7037447

info@ptech-gmbh.com • www.ptech-gmbh.com



Equipment Description

The grit classifiers that are preferred in the first intake structure of the treatment plants are preferred for removing grit and sand-like objects from the wastewater. Grit classifiers could be thought as with or without aeration. Sediment objects in the bottom of the pool are delivered to the sand pump by being redirected with bottom scraper. Sand pump delivers the sand that it sucked out from the bottom to the grit classifier which is out of the pool, here the sand is separated from the water physically with the help of helical, thus this load is prevented from reaching out to mechanical parts. The water extracted from the separation process is then delivered to the inlet structure through means of a pump.



Usage Areas

- Wastewater Treatment Plant
- Industrial Wastewater Treatment Plants
- Food Industry
- Paper Industry
- Abattoirs
- Solid Waste Processing Plants
- Recycling Plants



Ptech

ENERGY - WATER - SEWAGE TREATMENT TECHNOLOGY

Umwelttechnik GmbH



+49 163 7037447
info@ptech-gmbh.com
Katzwanger Str. 150, 90461
Nürnberg, Germany

📷 ptechgmbh
🌐 Ptech Umwelttechnik GmbH
📺 @PtechGmbH

www.ptech-gmbh.com