

Datasheet



Lifting Station



Equipment Description

Lifting stations made by Ptech GmbH are used in collecting, transferring, elevating to a desired elevation of drainage and sewer wastewater.

It is manufactured with high efficiency two or three pumps, with standard or traffic load covers, in different sizes according to the need, with valve chambers if desired, from HDPE or FRP material, with automation system, activated carbon ventilation and filter system, gas measurement and control systems.

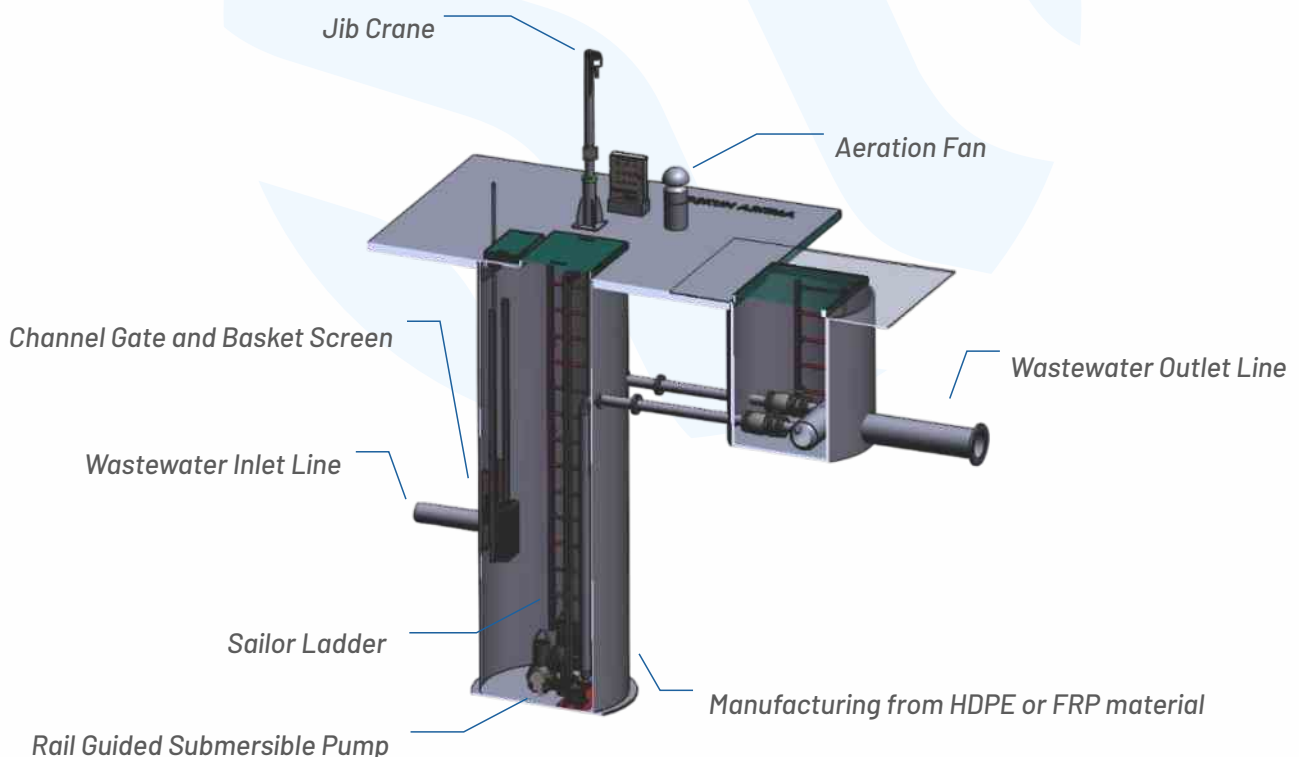
Prefabricated lifting stations are the systems to transfer water and wastewater in lower elevations to main operation centers. The systems manufactured from HDPE and FRP materials are long-lasting and flexible in design.

Advantages

- Custom Design.
- Low operational cost.
- Requires low maintenance.
- Safe operation in dangerous areas.
- Spare parts can easily be obtained.

Areas of Use

- Industrial Wastewater Treatment Plants
- Plastic Recycling Industry
- Commercial Laundry Industry
- Pulp and Paper Industry
- Textile Industry
- Fish Industry
- Beverage Industry
- Food and Chemical Industries





Ptech

ENERGY - WATER - SEWAGE TREATMENT TECHNOLOGY

Umwelttechnik GmbH



+49 163 7037447
info@ptech-gmbh.com
Katzwanger Str. 150, 90461
Nürnberg, Germany

📷 ptechgmbh
🌐 Ptech Umwelttechnik GmbH
📺 @PtechGmbH

www.ptech-gmbh.com