

Datasheet



Manual Screen



Equipment Description

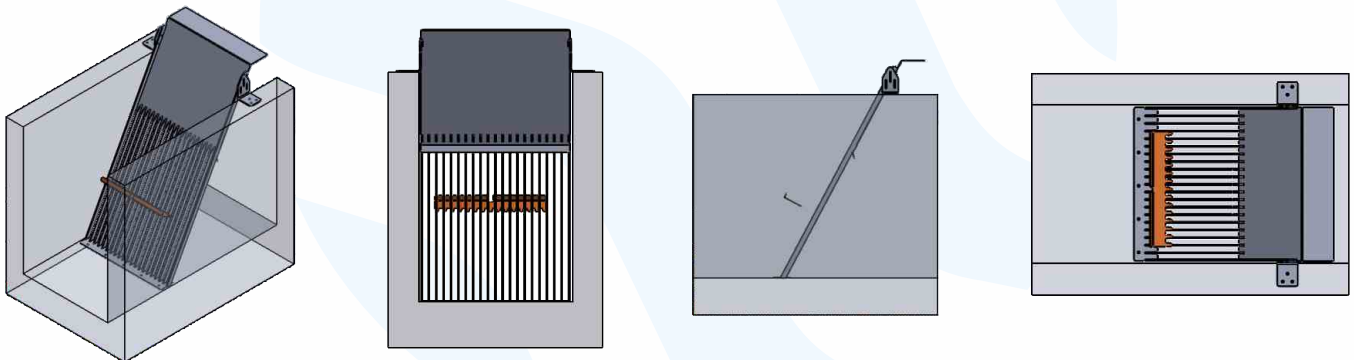
Manual bar screen is an equipment manufactured by Ptech GmbH used to hold bigger suspended or floating particles in the sewage that could harm the equipment or hinder from operation. Materials caught on the inclined bars of manual bar screens are manually cleaned using a rake.

Application

- It Is Used In The By-pass Channel Or The Flow Of The Fine Screen
- High Performance
- Long Service Life
- Superior Functionality

Areas of Use

- Domestic Wastewater Treatment Plants
- Industrial Wastewater Treatment Plants
- Plastic Recycling Industry
- Commercial Laundry Industry
- Pulp and Paper Industry
- Textile Industry
- Fish Industry
- Beverage Industry
- Food and Chemical Industries





+49 163 7037447

info@ptech-gmbh.com • www.ptech-gmbh.com



Ptech

ENERGY - WATER - SEWAGE TREATMENT TECHNOLOGY

Umwelttechnik GmbH



+49 163 7037447
info@ptech-gmbh.com
Katzwanger Str. 150, 90461
Nürnberg, Germany

📷 ptechgmbh
🌐 Ptech Umwelttechnik GmbH
📺 @PtechGmbH

www.ptech-gmbh.com