

Datasheet



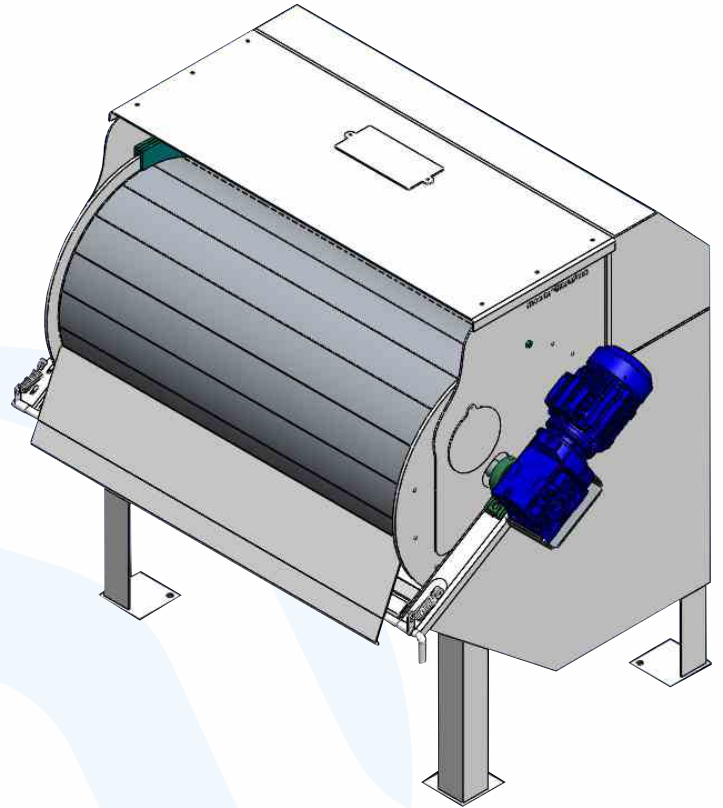
## Rotary Drum Screen



## Equipment Description

They are the equipments used in the first inlet structure within the process. The greatest feature of these products under the manufacturing of Ptech GmbH is their capability to catch and remove even the tiniest objects. The drum screens that are used in the inlet structures are capable of operating in high efficiencies. They could be designed specifically according to the features of the process.

Material selection during the design phase could be made among hot dipped galvanized carbon steel or AISI 304-316 quality stainless steel. Frequent maintenance is not required as a result of automatic cleaning of the screen surface by means of nozzles on the surface of or inside the equipment. Sieves are generally as follows.



## Sieve Types

- Internal Flow Drum Sieve
- External Flow Drum Sieve
- Static Sieve

## Usage Areas

- Domestic Wastewater Treatment Plants
- Industrial Wastewater Treatment Plants
- Plastic Recycling Industry
- Screen Waste Abattoirs
- Pump Stations





# Ptech

ENERGY - WATER - SEWAGE TREATMENT TECHNOLOGY

## Umwelttechnik GmbH



+49 163 7037447  
info@ptech-gmbh.com  
Katzwanger Str. 150, 90461  
Nürnberg, Germany

📷 ptechgmbh  
🌐 Ptech Umwelttechnik GmbH  
📺 @PtechGmbH

[www.ptech-gmbh.com](http://www.ptech-gmbh.com)